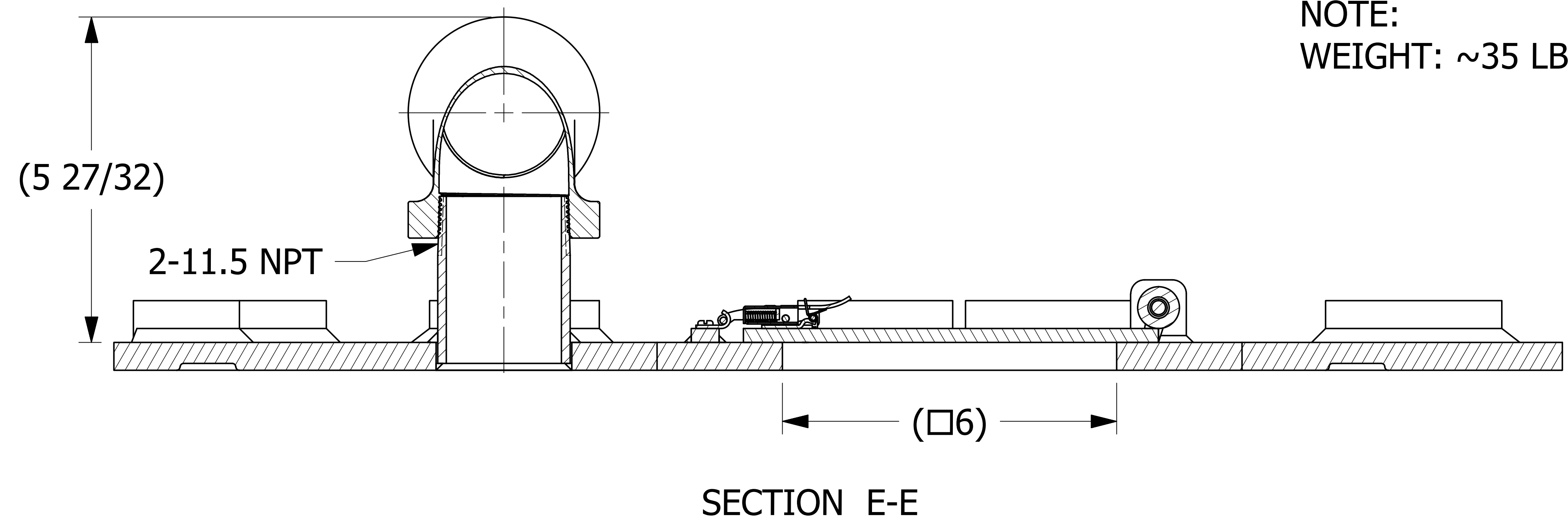
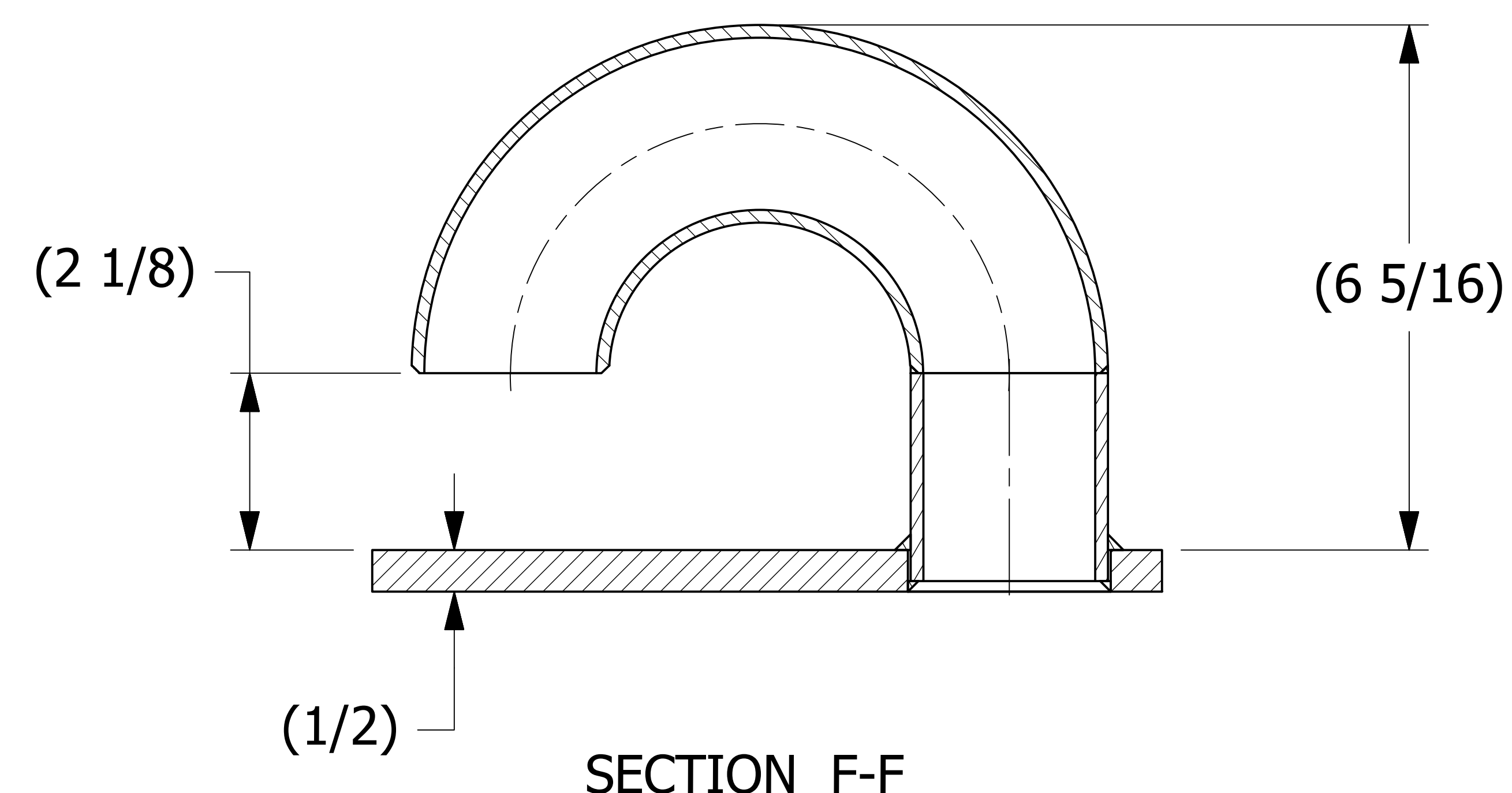
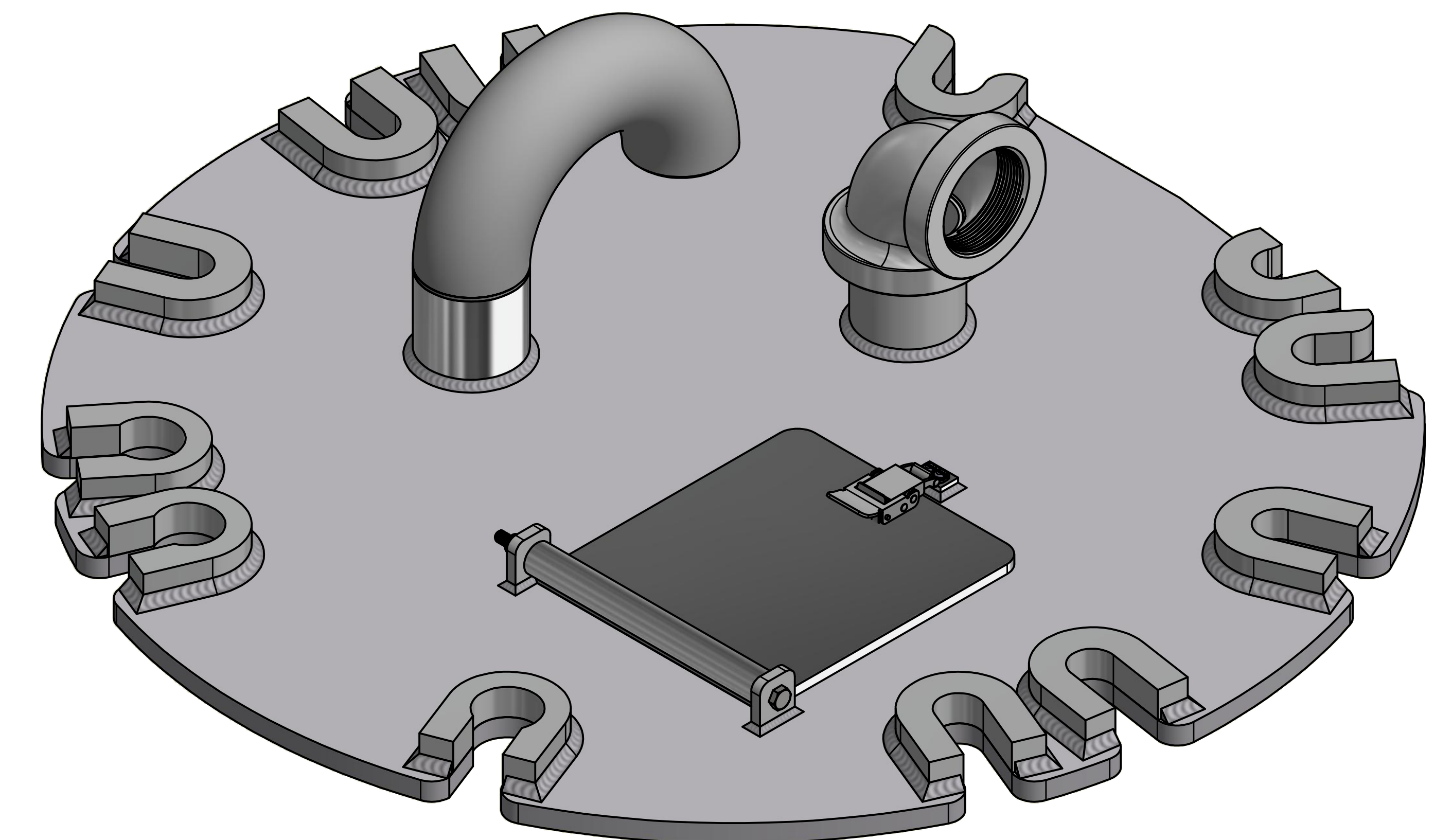
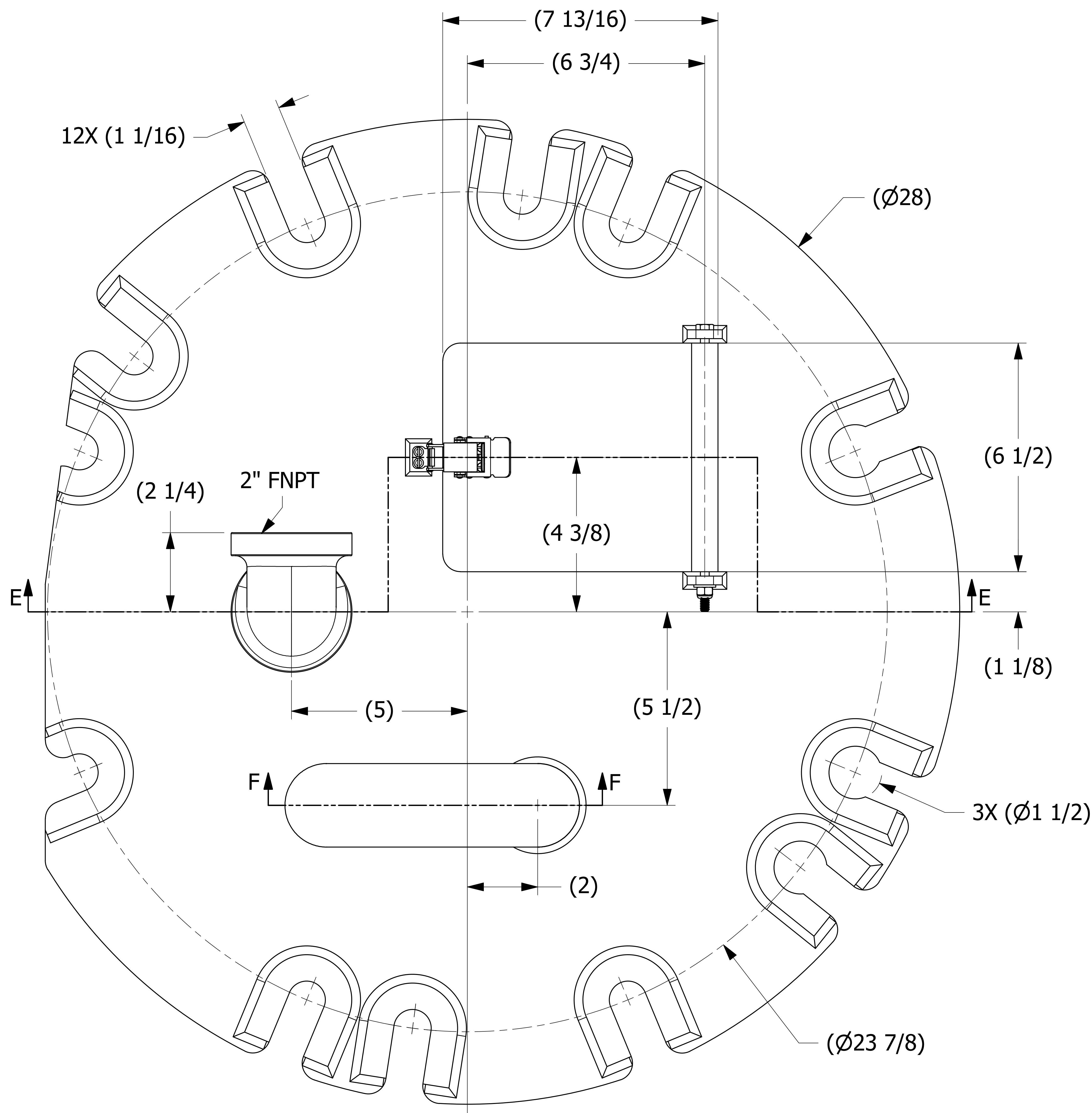


SALES DRAWING SALES DRAWING SALES DRAWING SALES DRAWING SALES DRAWING

SALES DRAWING SALES DRAWING SALES DRAWING SALES DRAWING SALES DRAWING



NOTE:  
WEIGHT: ~35 LBS

UNLESS OTHERWISE SPECIFIED DIMENSIONAL TOLERANCES FRACTIONAL: $\pm 1/16$ X.XX: $\pm .03$ X.XXX: $\pm .015$ ANGULAR: $\pm 1^\circ$ DEBURR ALL SHARP EDGES. ALL MACHINED SURFACES TO HAVE A 125 RMS FINISH UNLESS NOTED OTHERWISE. THIRD ANGLE PROJECTION	DRAWN BY:	JG
	CHECKED BY:	EJF
	PROTOTYPE DATE:	7/6/2016
	APPROVED FOR PRODUCTION BY:	EJF
	PRODUCTION DATE:	8/8/2016
SIZE:	E	
DRAWING #:	43949	

B	WEB	1/9/20	202001091004	WEB
REV	BY	DATE	REF #	PUB
		PART NAME: MANWAY LOADING PLATE 20" 6 & 8 BOLT		
		MATERIAL: ALUMINUM		
PROJECT #: R160705		SHEET #: 1 OF 1		SCALE: 3:4
PART #: LC202TMC11				